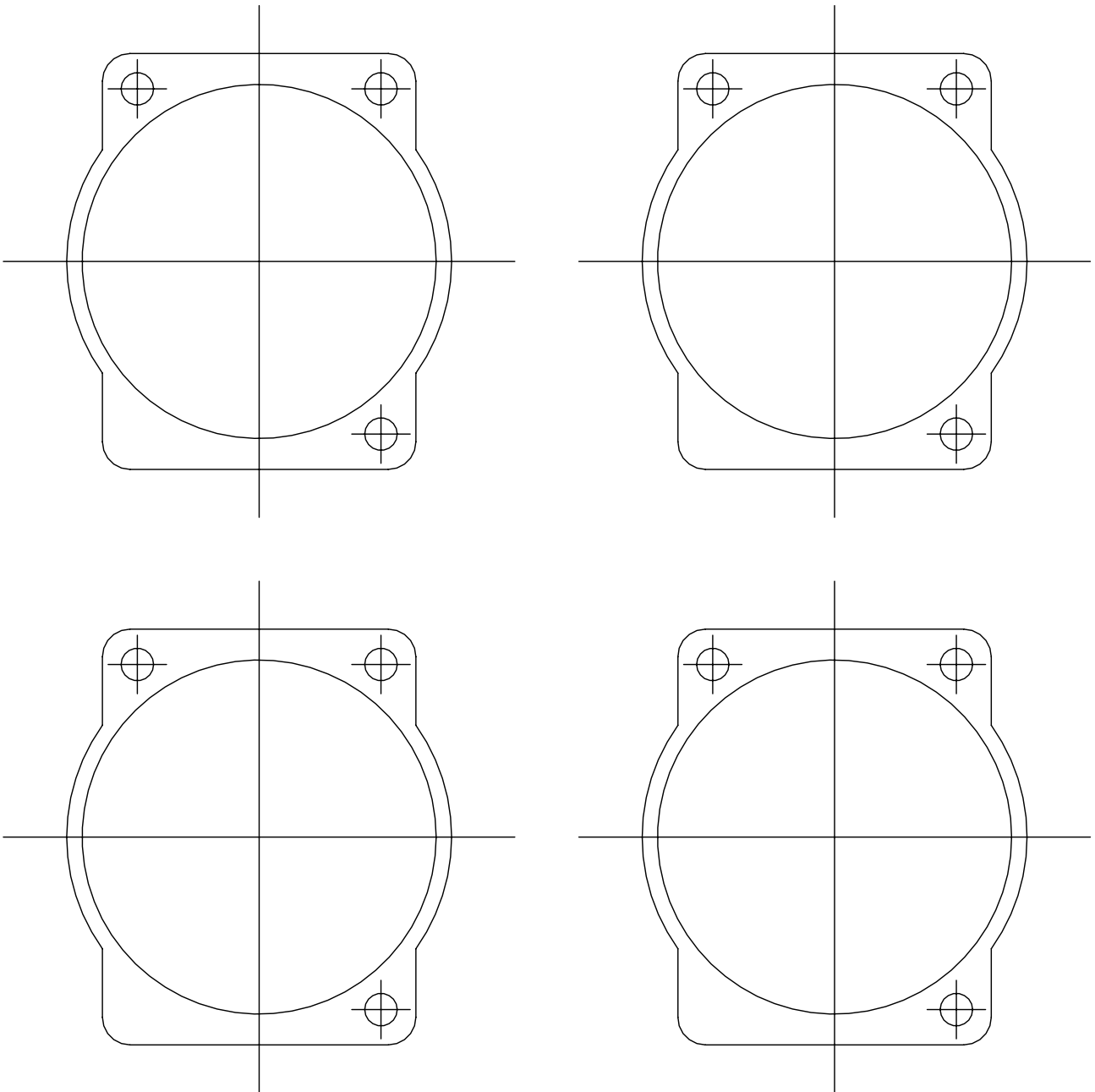


PATTERN FOR END HOUSING SHIM FOR LUCAS K1F, K2F AND KVF MAGNETOS



The asymmetric hole might not be required.

Typical sheet thicknesses:

80 g/m ² printer paper:	0.0035"
Postcard:	0.012"
Kellogg's cornflakes packet:	0.021"

Print out with 100% scaling.