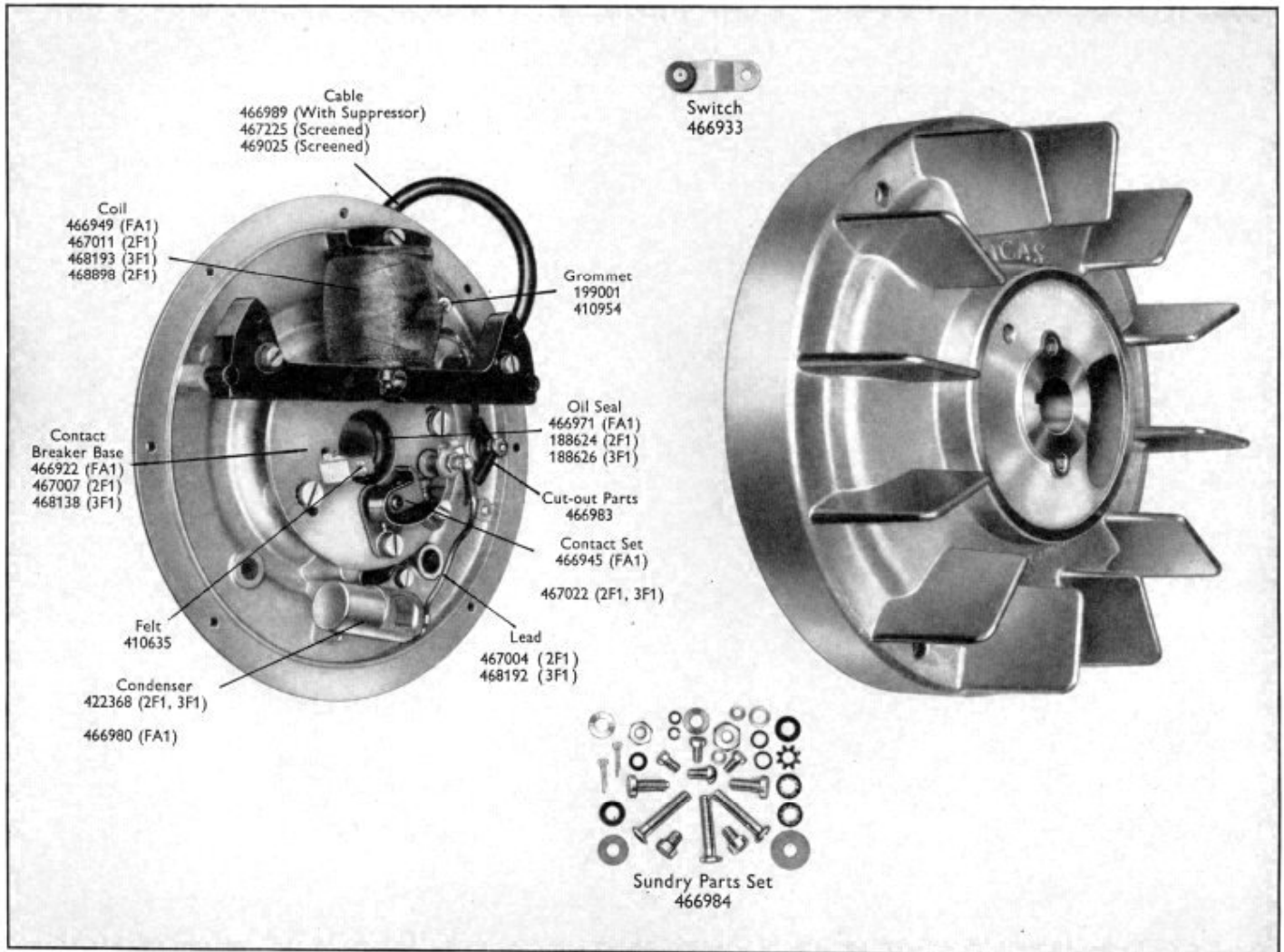




MAGNETOS (FLYWHEEL) — MODELS FA1, 2FI AND 3FI

DETAILED SPARE PARTS



Part No.	42273A/E	42292A/L	42313A/H	42361A/B	42362A/B	42366A
Model	FA1	2FI	3FI	2FI	2FI	3FI
Type	AC80	AC	AC	AC	AC	AC
Rotation	Clock	Anti-clock	Clock	Anti-clock	Anti-clock	Clock
Screened or Standard	Screened	Standard	Standard	Screened	Standard	Screened
Bush, bearing	—	467010	468143	467010	467010	468143
§Coil, with laminations	466949	467011	468193	467011	468898	468193
Grommet, cable	—	199001	199001	410954	—	199001
Base, contact breaker	466922	467007	468138	467007	467007	468138
Bush, insulating, contact breaker	466927	467024	467024	467024	467024	467024
§Contact set	466945	467022	467022	467022	467022	467022
§Felt, lubricator	410635	410635	410635	410635	410635	410635
Screw, terminal, contact breaker	407019	—	—	—	—	—
Insulating piece, contact breaker terminal	405319	—	—	—	—	—
§Condenser	466980	422368	422368	422368	422368	422368
§Switch, cutout	466933	466933	466933	466933	—	466933
Contact parts, cutout switch	466983	466983	466983	466983	466983	466983
Lead, contact breaker to cutout	—	467006	467006	467006	467006	467006
Lead, contact breaker to condenser	—	467004	468192	467004	467004	468192
§Oil seal	466971	188624	188626	188624	188624	188626
Clip, cable assembly	—	—	—	455733	—	—
Cable assembly, screened	—	—	—	467225	—	469025
§Cable, with built in suppressor	466989	—	—	—	—	—
§Sundry parts, set	466984	466984	466984	466984	466984	466984